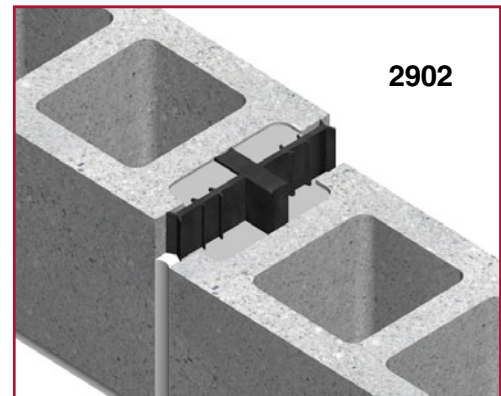
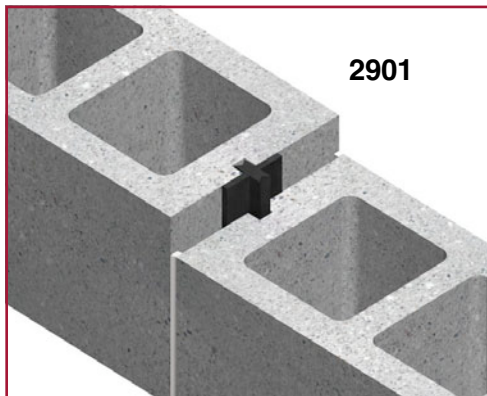
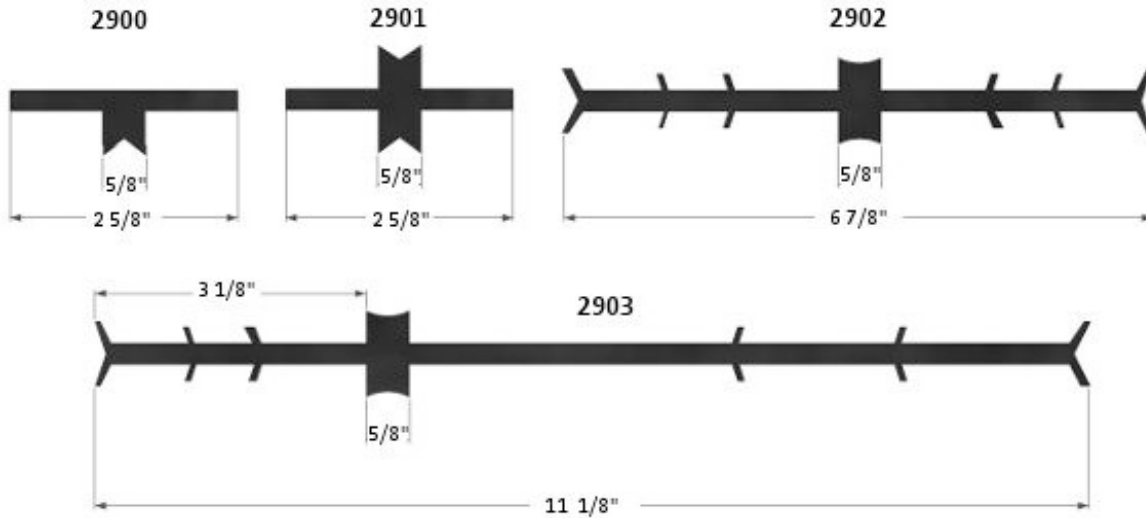


# PRODUCT SUBMITTAL



## Rubber Control Joint



### MATERIAL CONFORMANCE / PROPERTY VALUES

Rubber Control Joints allow for expansion and contraction of masonry walls while reducing the possibility of air and water penetration. Designed for masonry walls at control joint. **ASTM D 2000 2 AA 805**

Property	Nominal Value
Tensile-Strength Modulus @ 100 elongation, psi	2425 psi
Specific Gravity Ultimate	1.32
Elongation-Sheet	375%
Water Absorption	per ASTM D 570
Brittle Point (calculated)	-10° F
Hardness-Shore A/10	80



### SIZES

#### Rubber Control Joint

2900  2901  2902  2903

#### Recommended Spacing Of Control Joints

#### Vertical Spacing Of Joint Replacement

	None	24"	16"	8"
Express as ratio of panel length to height 1/h	2	2-1/2"	3"	4"
With panel length (l) not to exceed regardless of height	40	45	50'	60'

**Corporate Office:** 400 Roundtree Rd Charlotte, NC 28217  
TEL: (800) 849-6722 FAX: (704) 525-3761

**Mailing Address:** P.O. Box 240988 Charlotte, NC 28224



[www.wirebond.com](http://www.wirebond.com)

**Memphis Plant:** 2365 Harbor Ave. Memphis, TN 38113  
TEL: (800) 441-8359 FAX: (901) 775-9449

**Mailing Address:** P.O. Box 13124 Memphis, TN 38113